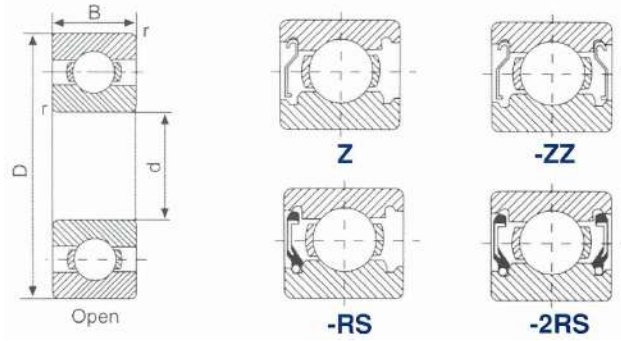


**Miniature Ball Bearings**

Bearing Number	Dimension				Flange Diameter Df (mm)	Flange Width Bf (mm)		Weight	
	d	D	B			Open	Sealed	Open	Sealed
682	2	5	1.5	2.3	6.1	0.5	0.6	0.15	0.20
MR52	2	5	2.0	2.5	6.2	0.6	0.6	0.14	0.20
692	2	6	2.3	3.0	7.5	0.6	0.8	0.28	0.35
MR62	2	6	2.5	2.5	7.2	0.6	0.6	0.28	0.33
MR72	2	7	2.5	3.0	8.2	0.6	0.6	0.43	0.53
602	2	7	2.8	3.5	8.5	0.7	0.9	0.50	0.60
682X	2.5	6	1.8	2.6	7.2	0.5	0.8	0.27	0.34
692X	2.5	7	2.5	3.5	8.1	0.7	0.9	0.45	0.55
MR82X	2.5	8	2.5	3.0	9.2	0.6	0.8	0.50	0.66
602X	2.5	8	2.8	4.0	9.5	0.7	0.9	0.58	0.78
MR63	3	6	2.0	2.5	7.2	0.6	0.6	0.20	0.28
683	3	7	2.0	3.0	8.1	0.5	0.8	0.32	0.45
MR83	3	8	2.5	3.0	9.2	0.6	0.6	0.51	0.67
693	3	8	3.0	4.0	9.5	0.7	0.9	0.60	0.80
MR93	3	9	2.5	4.0	10.2	0.6	0.8	0.75	1.30
603	3	9	3.0	5.0	10.5	0.7	1.0	0.84	1.43
623	3	10	4.0	4.0	11.5	1.0	1.0	1.45	1.65
633	3	13	5.0	5.0	15.0	1.0	1.0	3.27	3.43
MR74	4	7	2.0	2.5	8.2	0.6	0.6	0.23	0.33
MR84	4	8	2.0	3.0	9.2	0.6	0.6	0.39	0.56
684	4	9	2.5	4.0	10.3	0.6	1.0	0.65	1.00
MR104	4	10	3.0	4.0	11.2	0.6	0.8	0.96	1.33
694	4	11	4.0	4.0	12.5	1.0	1.0	1.69	1.75
604	4	12	4.0	4.0	13.5	1.0	1.0	2.19	2.34
624	4	13	5.0	6.0	15.0	1.0	1.0	3.10	3.20
634	4	16	5.0	6.0	18.0	1.0	1.0	5.24	5.44
MR85	5	8	2.0	2.5	9.2	0.6	0.6	0.25	0.34
MR95	5	9	2.5	3.0	10.2	0.6	0.6	0.54	0.58
MR105	5	10	3.0	4.0	11.2	0.6	0.8	0.91	1.26
MR115	5	11	---	4.0	12.6	---	0.8	---	0.62
685	5	11	3.0	5.0	12.5	0.8	1.0	1.16	1.93
695	5	13	4.0	4.0	15.0	1.0	1.0	2.39	2.31
605	5	14	5.0	5.0	16.0	1.0	1.0	3.46	3.75
685	5	16	5.0	5.0	18.0	1.0	1.0	4.95	5.10
635	5	19	6.0	6.0	22.0	1.5	1.5	8.5	22.0

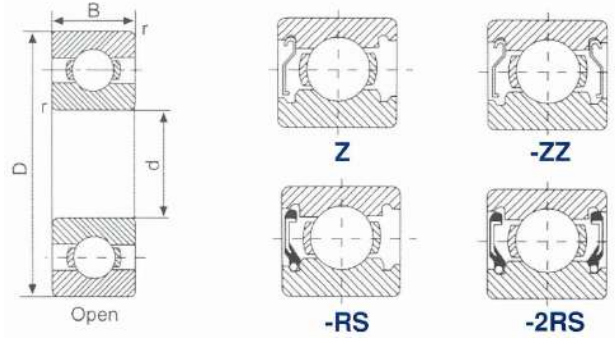
### Miniature Ball Bearings

Bearing Number	Dimensions (mm)				Flange Diameter Df (mm)	Flange Width		Weight (g)	
	d	D	B			Bf (mm)		Open	Sealed
			Open	Sealed		Open	Sealed		
MR106	6	10	2.5	3.0	11.2	0.6	0.6	0.55	0.70
MR126	6	12	3.0	4.0	13.2	0.6	0.8	1.25	1.66
686	6	13	3.5	5.0	15.0	1.0	1.1	1.87	2.68
696	6	15	5.0	5.0	17.0	1.2	1.2	3.85	3.65
606	6	17	6.0	6.0	19.0	1.2	1.2	5.94	6.89
626	6	19	6.0	6.0	22.0	1.5	1.5	8.12	8.65
636	6	22	7.0	7.0	25.0	1.5	1.5	13.90	14.50
MR117	7	11	2.5	3.0	12.2	0.6	0.6	0.59	0.71
MR137	7	13	3.0	4.0	14.2	0.6	0.8	1.52	2.01
687	7	14	3.5	5.0	16.0	1.0	1.1	2.03	2.95
697	7	17	5.0	5.0	19.0	1.2	1.2	5.26	5.01
607	7	19	6.0	6.0	22.0	1.5	1.5	7.80	8.24
627	7	22	7.0	7.0	25.0	1.5	1.5	12.70	13.10
637	7	26	9.0	9.0	29.0	2.0	2.0	24.20	25.80
MR128	8	12	2.5	3.5	13.2	0.6	0.8	0.70	0.99
MR148	8	14	3.5	4.0	15.6	0.8	0.8	1.90	2.19
688	8	16	4.0	5.0	18.0	1.0	1.1	3.11	4.05
698	8	19	6.0	6.0	22.0	1.5	1.5	7.12	7.57
608	8	22	7.0	7.0	25.0	1.5	1.5	11.80	12.90
628	8	24	8.0	8.0	---	---	---	17.10	18.50
638	8	28	9.0	9.0	---	---	---	28.10	30.30
679	9	14	3.0	4.5	15.5	0.8	0.8	1.35	1.98
689	9	17	4.0	5.0	19.0	1.0	1.1	3.41	4.38
699	9	20	6.0	6.0	23.0	1.5	1.5	8.38	8.54
609	9	24	7.0	7.0	27.0	1.5	1.5	14.70	16.00
629	9	26	8.0	8.0	---	---	---	19.00	21.80
639	9	30	10.0	10.0	---	---	---	36.20	37.10
R133	0.0937"	0.1875"	0.0625"	0.0937"	0.2340"	0.0180"	---	0.10	0.15
R1-5	0.0937"	0.3125"	0.1094"	0.1406"	0.3590"	0.0230"	0.0310"	0.60	1.15
R144	0.1250"	0.2500"	0.0937"	0.1094"	0.2960"	0.0230"	0.0310"	0.27	0.40
R2-5	0.1250"	0.3125"	0.1094"	0.1406"	0.3590"	0.0230"	0.0310"	0.50	0.74
R2-6	0.1250"	0.3750"	0.1094"	0.1406"	0.4220"	0.0230"	0.0310"	0.96	1.23
R2	0.1250"	0.3750"	0.1562"	0.1562"	0.4400"	0.0300"	0.0300"	1.04	1.37
R2A	0.1250"	0.5000"	0.1719"	0.1719"	---	---	---	3.30	3.30
R155	0.1562"	0.3125"	0.1094"	0.1250"	0.3590"	0.0230"	0.0360"	0.51	0.61
R156	0.1875"	0.3125"	0.1094"	0.1250"	0.3590"	0.0230"	0.0360"	0.40	0.45
R166	0.1875"	0.3750"	0.1250"	0.1250"	0.4220"	0.0230"	0.0310"	0.81	0.85
R3	0.1875"	0.5000"	0.1562"	0.1960"	0.5650"	0.0420"	0.0420"	2.21	2.95
R3A	0.1875"	0.6250"	0.1960"	0.1960"	---	---	---	4.75	5.08
R168	0.2500"	0.3750"	0.1250"	0.1250"	0.4220"	0.0230"	0.0360"	0.57	0.60
R188	0.2500"	0.5000"	0.1250"	0.1875"	0.5470"	0.0230"	0.0450"	1.60	2.32
R4	0.2500"	0.6250"	0.1960"	0.1960"	0.6900"	0.0420"	0.0420"	4.46	4.54
R4A	0.2500"	0.7500"	0.2188"	0.2812"	---	---	---	7.48	10.00
R1810	0.3125"	0.5000"	0.1562"	0.1562"	0.5470"	0.0310"	0.0310"	1.39	1.57
R6	0.3750"	0.8750"	0.2188"	0.2812"	0.9690"	0.0620"	0.0620"	9.02	11.70
R8	0.5000"	1.1250"	0.2500"	0.3125"	1.2252"	0.0620"	0.0620"	11.60	24.10



**Deep Groove Ball Bearings**

Bearing No.	Dimensions (mm)			Weight (kg)
	d	D	B	
61800	10	19	5	0.005
61801	12	21	5	0.006
61802	15	24	5	0.007
61803	17	26	5	0.007
61804	20	32	7	0.017
61805	25	37	7	0.021
61806	30	42	7	0.024
61807	35	47	7	0.027
61808	40	52	7	0.031
61809	45	58	7	0.038
61810	50	65	7	0.050
61811	55	72	9	0.081
61812	60	78	10	0.103
61813	65	85	10	0.128
61814	70	90	10	0.134
61815	75	95	10	0.142
61816	80	100	10	0.151
61817	85	110	13	0.263
61818	90	115	13	0.276
61820	100	125	13	0.310
61822	110	140	16	0.497
61824	120	150	16	0.537
61826	130	165	18	0.758
61828	140	175	18	0.832
61830	150	190	20	1.150
61832	160	200	20	1.420
61834	170	215	22	1.860
61836	180	225	22	1.980
61838	190	240	24	2.530

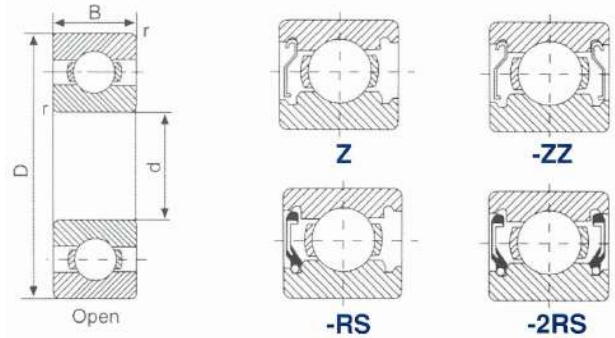


**Deep Groove Ball Bearings**

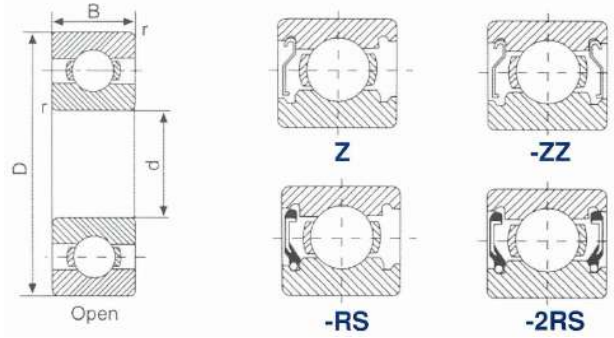
Bearing No.	Dimensions (mm)			Weight (kg)
	d	D	B	
61900	10	22	6	0.009
61901	12	24	6	0.010
61902	15	28	7	0.015
61903	17	30	7	0.017
61904	20	37	9	0.036
61905	25	42	9	0.042
61906	30	47	9	0.052
61907	35	55	10	0.075
61908	40	62	12	0.112
61909	45	68	12	0.132
61910	50	72	12	0.133
61911	55	80	13	0.185
61912	60	85	13	0.192
61913	65	90	13	0.211
61914	70	100	16	0.342
61915	75	105	16	0.363
61916	80	110	16	0.382
61917	85	120	18	0.535
61918	90	125	18	0.565
61920	100	150	20	0.960
61922	110	150	20	1.040
61924	120	165	22	1.410
61926	130	180	24	1.860
61928	140	190	24	1.980
61930	150	210	28	3.050
61932	160	220	28	3.200
61934	170	230	28	3.350
61936	180	250	33	4.900
61938	190	260	33	5.200
61940	200	280	38	7.300



**Deep Groove Ball Bearings**

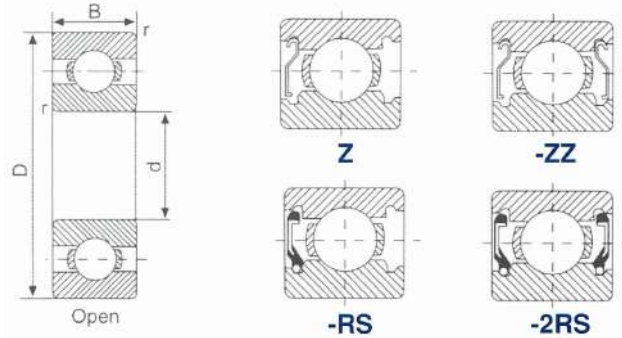


Bearing No.	Dimensions (mm)			Weight (kg)
	d	D	B	
6000	10	26	8	0.009
6001	12	28	8	0.022
6002	15	32	9	0.031
6003	17	35	10	0.041
6004	20	42	12	0.068
6005	25	47	12	0.079
6006	30	55	13	0.116
6007	35	62	14	0.151
6008	40	68	15	0.190
6009	45	75	16	0.241
6010	50	80	16	0.261
6011	55	90	18	0.381
6012	60	95	18	0.412
6013	65	100	18	0.439
6014	70	110	20	0.608
6015	75	115	20	0.849
6016	80	125	22	0.872
6017	85	130	22	0.918
6018	90	140	24	1.190
6019	95	145	24	1.230
6020	100	150	24	1.290
6021	105	160	26	1.580
6022	110	170	28	1.940
6024	120	180	28	2.080
6026	130	200	33	3.260
6028	140	210	33	3.480
6030	150	225	35	4.240
6032	160	240	38	5.150
6036	180	280	46	6.890



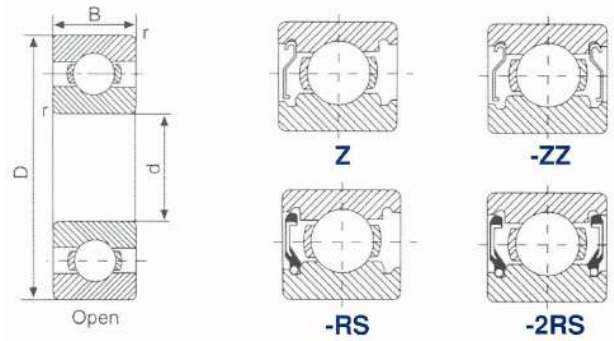
**Deep Groove Ball Bearings**

Bearing No.	Dimensions (mm)			Weight (kg)
	d	D	B	
6200	10	30	9	0.031
6201	12	32	10	0.037
6202	15	35	11	0.045
6203	17	40	12	0.067
6204	20	47	14	0.107
6205	25	52	15	0.129
6206	30	62	16	0.199
6207	35	72	17	0.284
6208	40	80	18	0.366
6209	45	85	19	0.420
6210	50	90	20	0.459
6211	55	100	21	0.619
6212	60	110	22	0.873
6213	65	120	23	1.000
6214	70	125	24	1.090
6215	75	130	25	1.190
6216	80	140	26	1.420
6217	85	150	28	1.760
6218	90	160	30	2.180
6219	95	170	32	2.640
6220	100	180	34	3.170
6221	105	190	36	3.790
6222	110	200	38	4.450
6224	120	215	40	5.290
6226	130	230	40	5.960
6228	140	250	42	7.680
6230	150	270	45	10.000
6232	160	290	48	12.800
6236	180	320	52	15.900



**Deep groove Ball Bearings**

Bearing No.	Dimensions (mm)			Weight (kg)
	d	D	B	
6300	10	35	11	0.051
6301	12	37	12	0.060
6302	15	42	13	0.083
6303	17	47	14	0.113
6304	20	52	15	0.145
6305	25	62	17	0.235
6306	30	72	19	0.345
6307	35	80	21	0.464
6308	40	90	23	0.636
6309	45	100	25	0.829
6310	50	110	27	1.060
6311	55	120	29	1.370
6312	60	130	31	1.720
6313	65	140	33	2.110
6314	70	150	35	2.570
6315	75	160	37	3.080
6316	80	170	39	3.670
6317	85	180	41	4.280
6318	90	190	43	4.980
6319	95	200	45	5.760
6320	100	215	47	7.040
6322	110	240	50	9.510
6324	120	260	55	12.500
6403	17	62	17	0.255
6404	20	72	19	0.390
6405	25	80	21	0.526
6406	30	90	23	0.735
6407	35	100	25	0.952
6408	40	110	27	1.230
6409	45	120	29	1.530
6410	50	130	31	1.880
6411	55	140	33	2.310



**Deep groove Ball Bearings**

Bearing No.	Dimensions (mm)			Weight (kg)
	d	D	B	
6412	60	150	35	2.800
6413	65	160	37	3.250
6414	70	180	42	5.030
6415	75	190	45	5.870
6416	80	200	48	6.840
6417	85	210	52	8.070
6418	90	225	54	9.780
16100	10	28	8	0.022
16101	12	30	8	0.023
16002	15	32	8	0.025
16003	17	35	8	0.032
16004	20	42	8	0.050
16005	25	47	8	0.060
16006	30	55	9	0.085
16007	35	62	9	0.110
16008	40	68	9	0.130
16009	45	75	10	0.170
16010	50	80	10	0.180
16011	55	90	11	0.260
16012	60	95	11	0.280
16013	65	100	11	0.300
16014	70	110	13	0.430
16015	75	115	13	0.460
16016	80	125	14	0.600
16017	85	130	14	0.630
16018	90	140	16	0.850
16019	95	145	16	0.890
16020	100	150	16	0.910
16021	105	160	18	1.200
16022	110	170	19	1.450
16024	120	180	19	1.600
16026	130	200	22	2.350